



GLOBAL DIRECT, LLC™

3325 Grassy Hill Rd/P.O. Box 506, Rocky Mount, VA 24151 USA

PH: 800.678.5486/540.483.5103 FX: 540.483.1546

Manufactures of Wall Decor, Lighting, Decorative Accessories and Accent Furniture

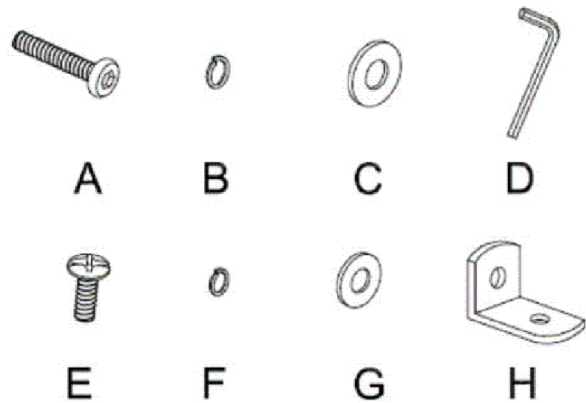
Assembly Instruction

Style#679097, COS24015-CD

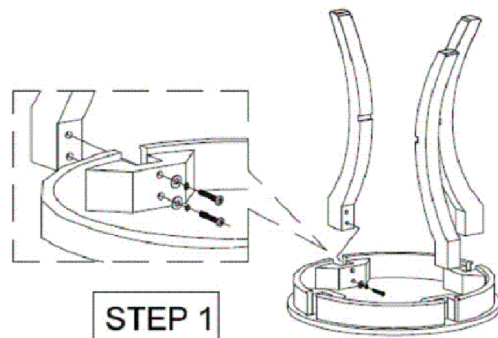
UNPACK CARTON ON A SOFT, SMOOTH SURFACE- INVENTORY ALL PARTS.

Parts List:

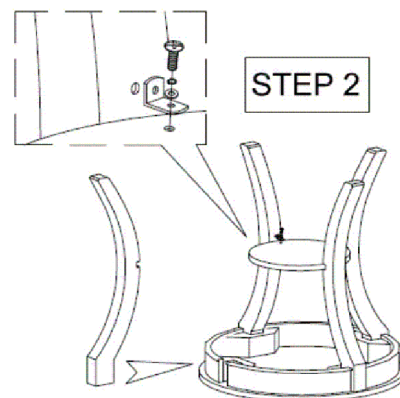
- A. Bolt.....8pcs
- B. Spring Washer.....8pcs
- C. Flat Washer.....8pcs
- D. Allen Wrench.....1pc
- E. Round Head Screw.....8pcs
- F. Spring Washer.....8pcs
- G. Flat Washer.....8pcs
- H. "L" Bracket.....4pcs



Step 1: Lay the unit top down on the floor, then install three Feet to the bottom, Insert Bolt(A), Spring Washer(B), Flat Washer(C) through the hole of the Top Panel to the Feet and tighten with Allen Wrench.



Step 2: Place the Bottom Panel in the middle of the Feet, Insert the Round Head Screw(E), Spring Washer(F), Flat Washer(G) through the "L" Bracket(H) to the Bottom Panel and the Feet, tighten with phillips head screwdriver.



Step 3: The same to the fourth Foot. As show in step 1 and step 2. Then place the unit upright.

